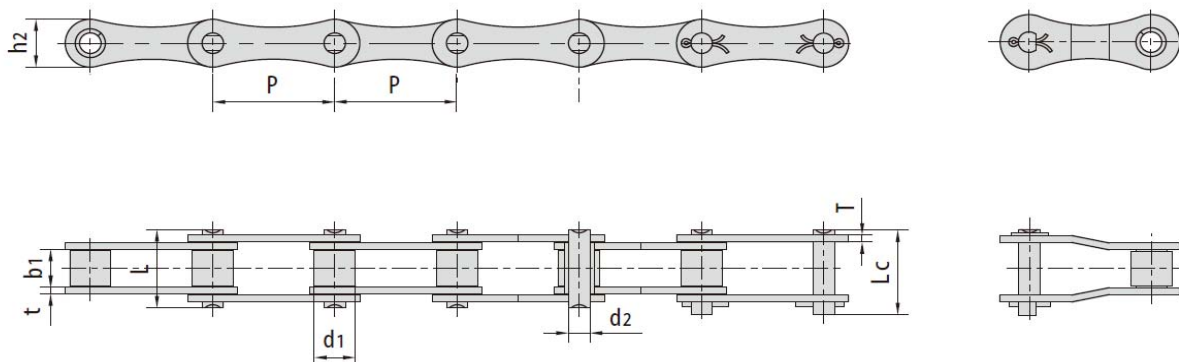


双节距传动链

Double pitch transmission chains



| ANSI 链号    | ISO/DIN 链号    | 节距     | 滚子直径            | 内节内宽                       | 销轴直径         | 链板厚度            | 内链板高度             | 销轴长度       |       | 抗拉强度                      | 每米长重             |
|------------|---------------|--------|-----------------|----------------------------|--------------|-----------------|-------------------|------------|-------|---------------------------|------------------|
| ANSI Chain | ISO/DIN Chain | Pitch  | Roller diameter | Width between inner plates | Pin diameter | Plate thickness | Inner plate depth | Pin length |       | Ultimate tensile strength | Weight per meter |
|            |               | P mm   | d1 mm           | b1 mm                      | d2 mm        | T mm            | h2 mm             | L mm       | Lr mm | U.T. S. (kN)              | Wt. (kg/m)       |
| 208A       | 2040          | 25.40  | 7.95            | 7.85                       | 3.96         | 1.50            | 12.00             | 16.60      | 17.80 | 14.10                     | 0.42             |
| 208B       |               | 25.40  | 8.51            | 7.75                       | 4.45         | 1.60            | 11.80             | 16.70      | 18.20 | 18.00                     | 0.45             |
| 210A       | 2050          | 31.75  | 10.16           | 9.40                       | 5.08         | 2.03            | 15.00             | 20.70      | 22.20 | 22.20                     | 0.73             |
| 210B       |               | 31.75  | 10.16           | 9.65                       | 5.08         | 1.70            | 14.70             | 19.50      | 20.90 | 22.40                     | 0.65             |
| 212A       | 2060          | 38.10  | 11.91           | 12.57                      | 5.94         | 2.42            | 18.00             | 25.90      | 27.70 | 31.80                     | 1.02             |
| 212B       |               | 38.10  | 12.07           | 11.68                      | 5.72         | 1.85            | 16.00             | 22.50      | 25.20 | 29.00                     | 0.76             |
| 216A       | 2080          | 50.80  | 15.88           | 15.75                      | 7.92         | 3.25            | 24.00             | 32.70      | 36.50 | 56.70                     | 1.70             |
| 216B       |               | 50.80  | 15.88           | 17.02                      | 8.28         | 4.15/3.10       | 21.00             | 36.10      | 39.10 | 60.00                     | 1.75             |
| 220A       | 2100          | 63.50  | 19.05           | 18.90                      | 9.53         | 4.00            | 30.00             | 40.40      | 44.70 | 88.50                     | 2.55             |
| 220B       |               | 63.50  | 19.05           | 19.56                      | 10.19        | 4.50/3.50       | 26.40             | 41.30      | 45.00 | 95.00                     | 2.62             |
| 224A       | 2120          | 76.20  | 22.23           | 25.22                      | 11.10        | 4.80            | 35.70             | 50.30      | 54.30 | 127.00                    | 4.06             |
| 224B       |               | 76.20  | 25.40           | 25.40                      | 14.63        | 6.00/4.80       | 33.20             | 53.40      | 57.80 | 160.00                    | 4.70             |
| 228B       |               | 88.90  | 27.94           | 30.99                      | 15.90        | 7.50/6.00       | 36.70             | 65.10      | 69.5  | 200.00                    | 6.23             |
| 232B       |               | 101.60 | 29.21           | 30.99                      | 17.81        | 7.00/6.00       | 42.00             | 66.00      | 71.0  | 250.00                    | 6.72             |
| 208AH      | 2040H         | 25.40  | 7.95            | 7.85                       | 3.96         | 2.03            | 12.00             | 18.80      | 19.9  | 14.10                     | 0.53             |
| 210AH      | 2050H         | 31.75  | 10.16           | 9.40                       | 5.08         | 2.42            | 15.00             | 22.10      | 23.8  | 22.20                     | 0.79             |
| 212AH      | 2060H         | 38.10  | 11.91           | 12.57                      | 5.94         | 3.25            | 18.00             | 29.20      | 31.0  | 31.80                     | 1.28             |
| 216AH      | 2080H         | 50.80  | 15.88           | 15.75                      | 7.92         | 4.00            | 24.00             | 36.20      | 39.4  | 56.70                     | 2.17             |
| 220AH      | 2100H         | 63.50  | 19.05           | 18.90                      | 9.53         | 4.80            | 30.00             | 43.60      | 47.2  | 88.50                     | 3.15             |
| 224AH      | 2120H         | 76.20  | 22.23           | 25.22                      | 11.10        | 5.60            | 35.70             | 53.50      | 57.5  | 127.00                    | 4.57             |